

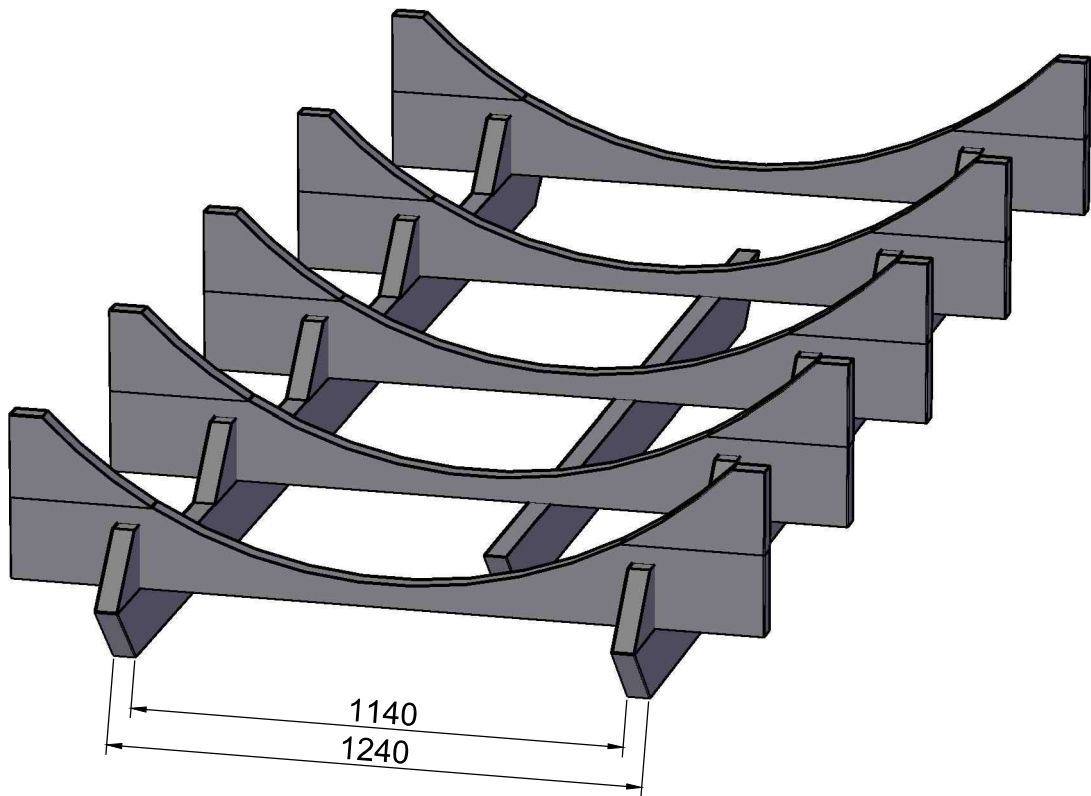
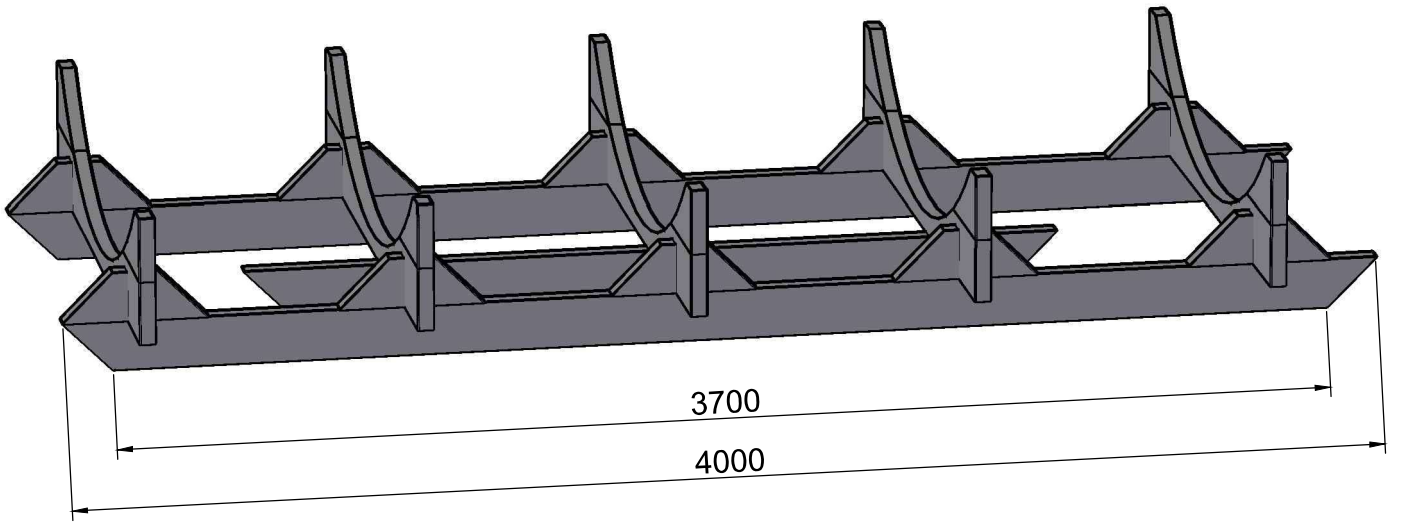







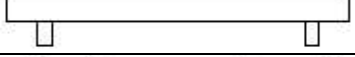







Valter DeLux





4,2 m

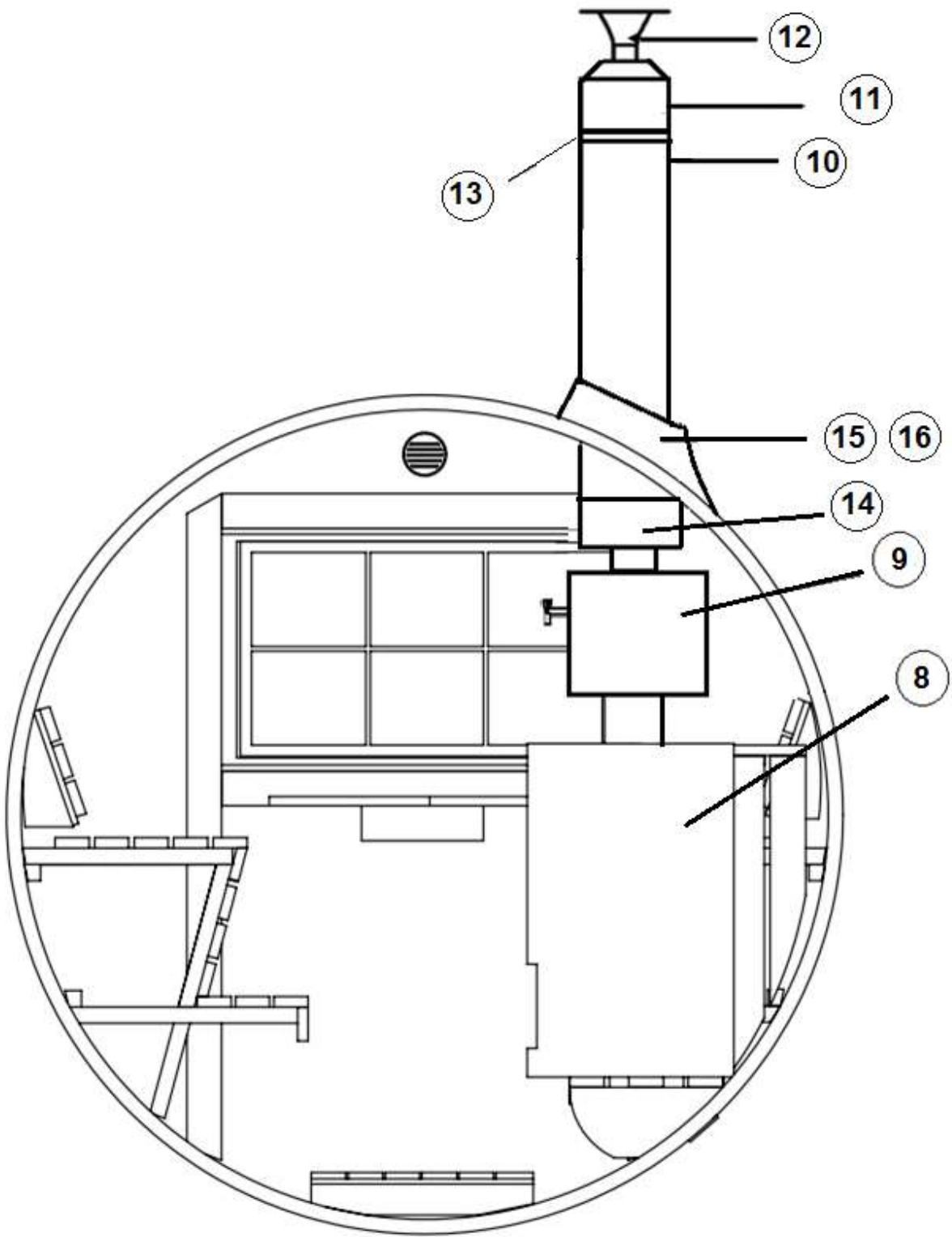
Ø 2265

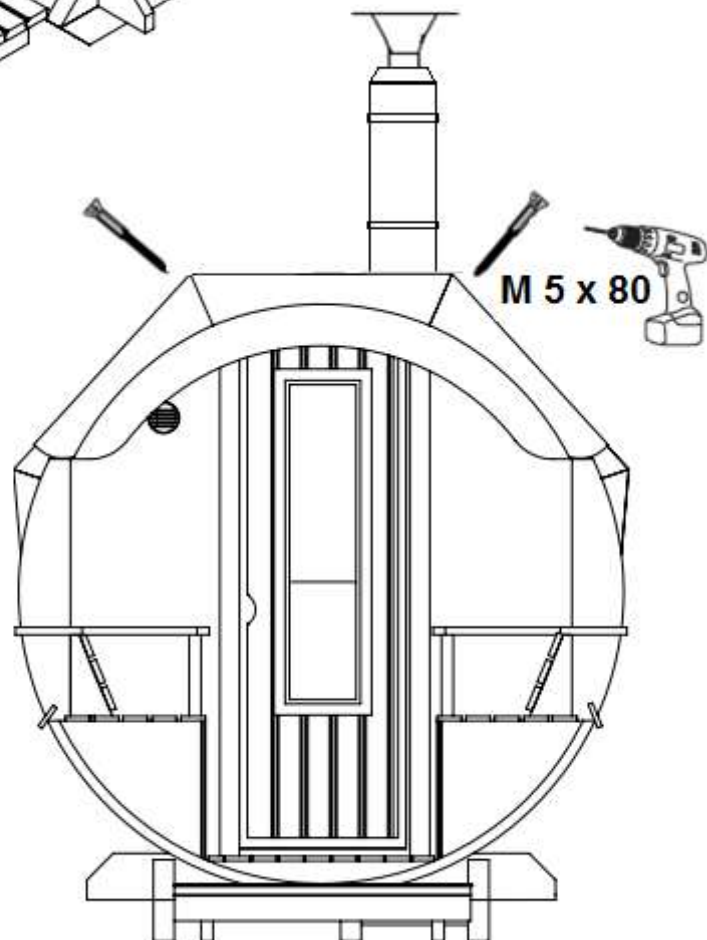
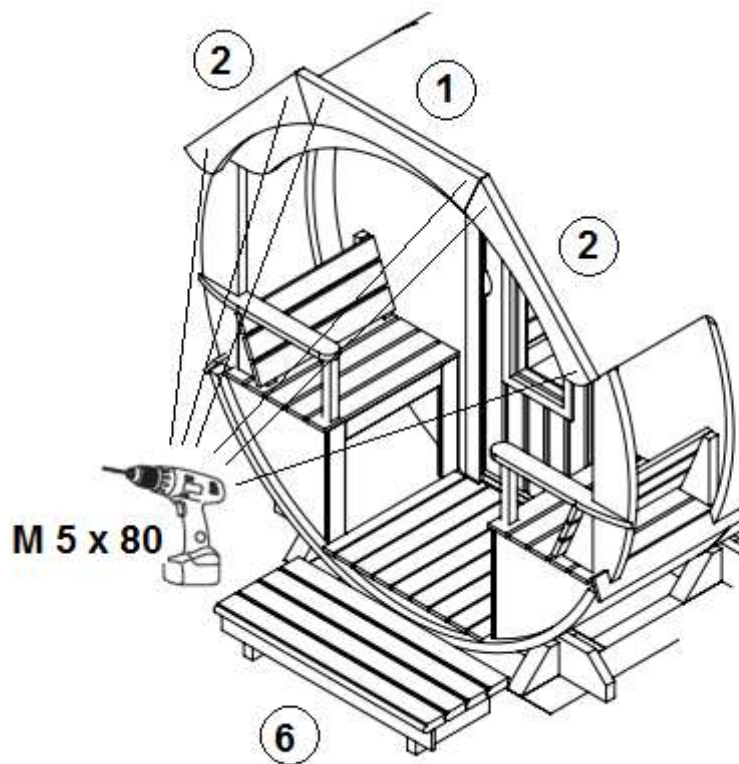
Valter

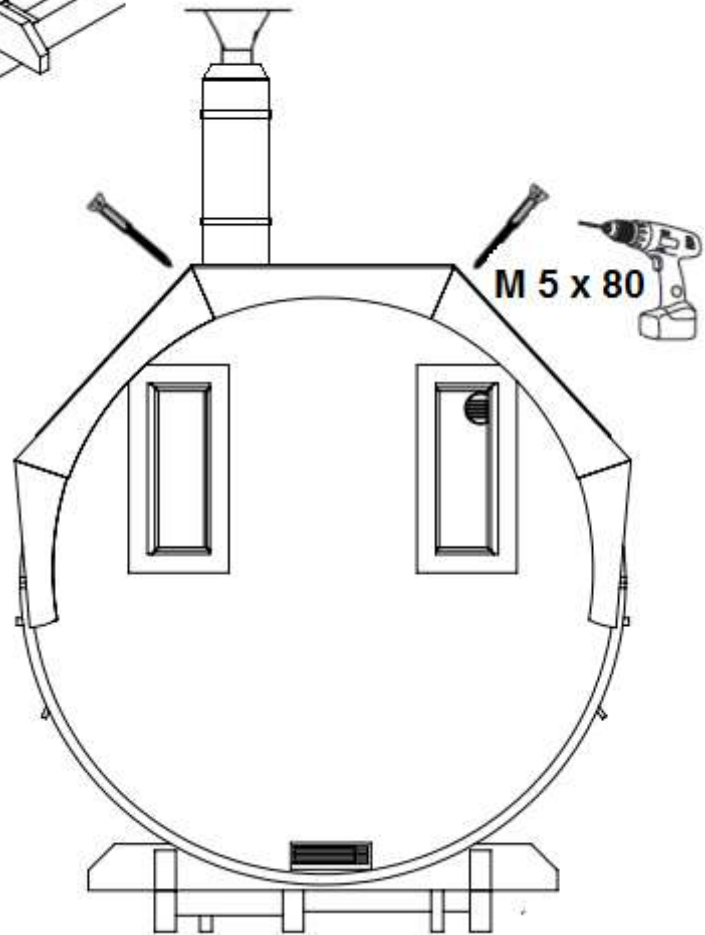
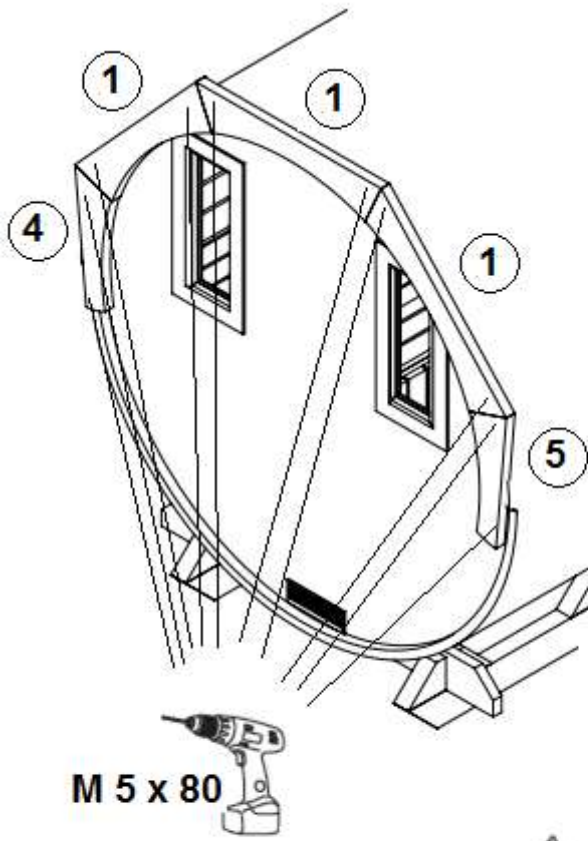


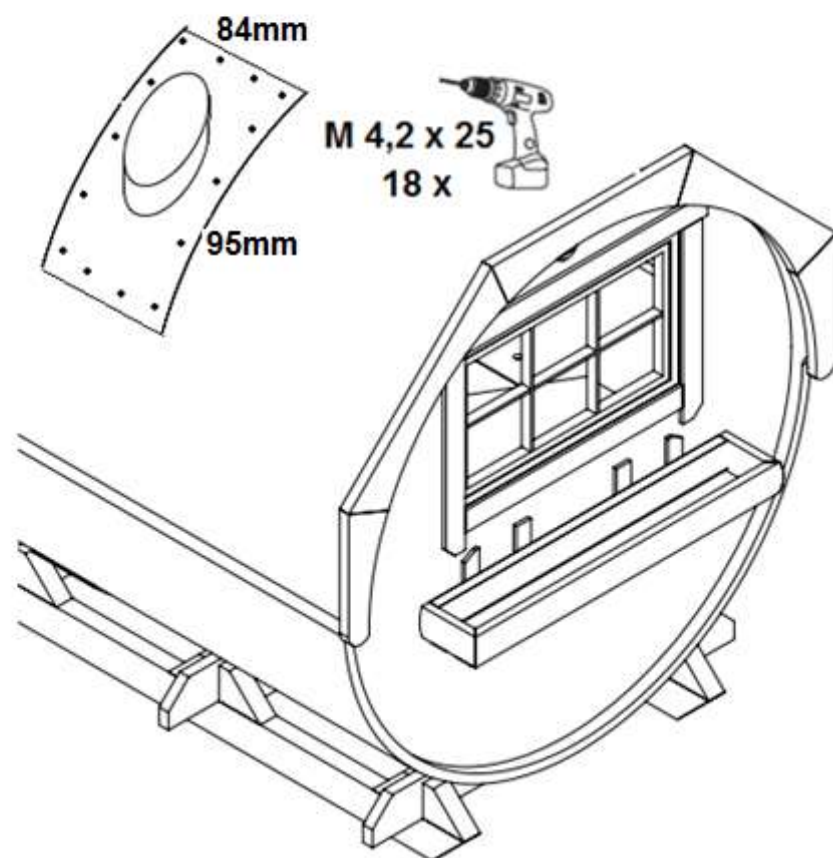
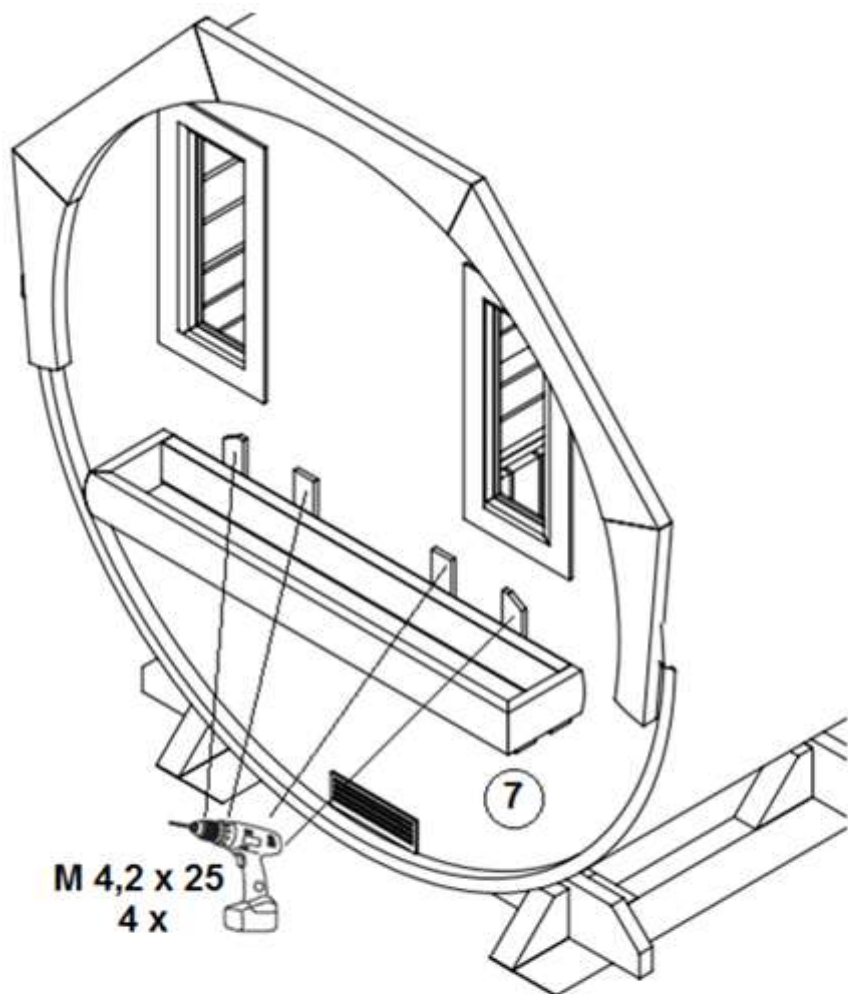
Nr.	Dimensions	Quantity	Detail
1	Arch roof	4	
2	Arch roof at front	1	
3	Arch roof at front	1	
4	Arch roof at back	1	
5	Arch roof at back	1	
6	Stair	1	
7	Flower box	1	
8	Heater + piece of sheat front of the heater +	1	
9	The heater assembly with boiler	1	
10	Pipe (1000mm)	1	
11	Extension (300mm)	1	
12	End of the stuck	1	
13	Clamp	2	

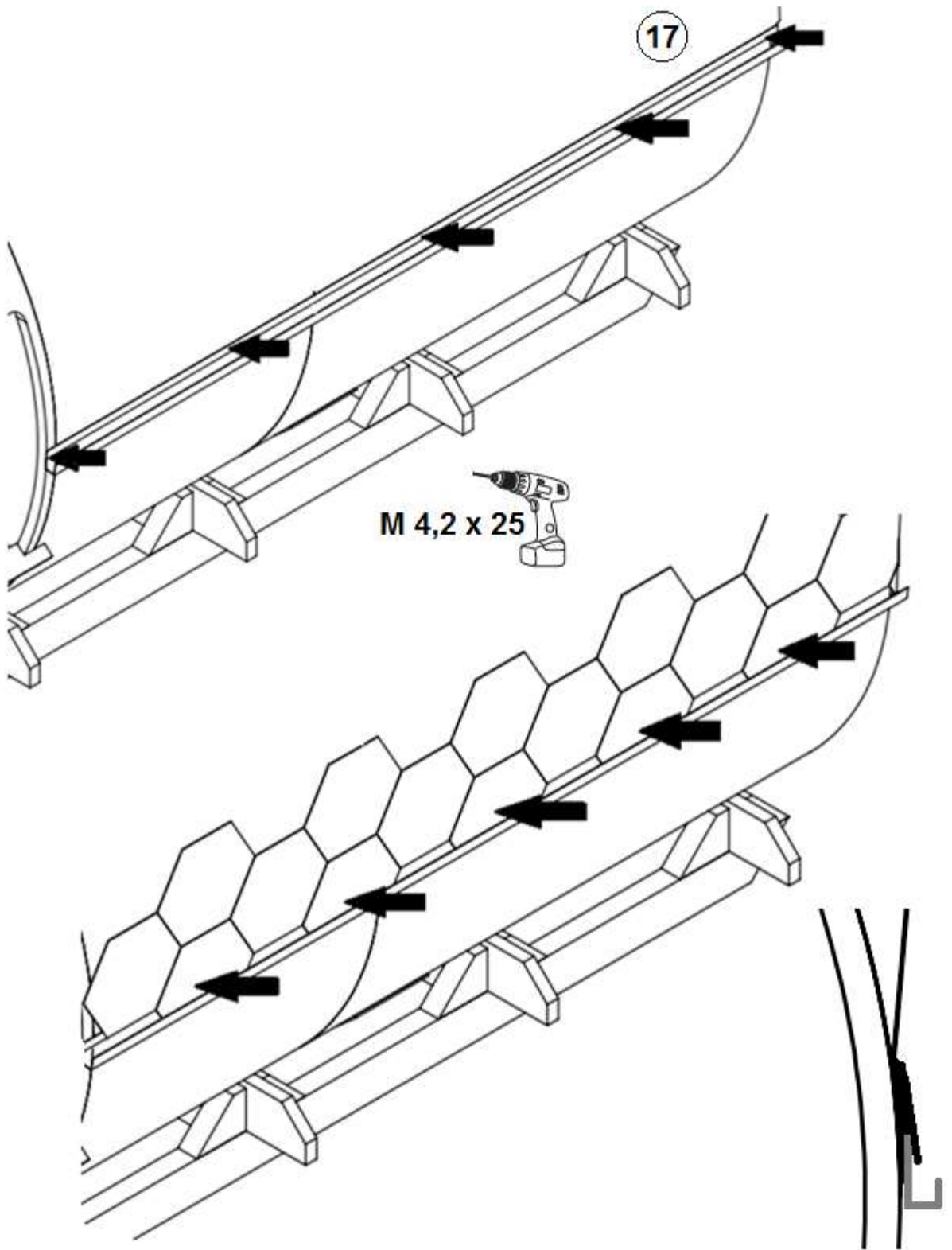
14	Pipe connection part with boiler	1	
15	Pipe cover (95x84mm)	1	
16	Change collar	1	
17	Rain deflectors	2	

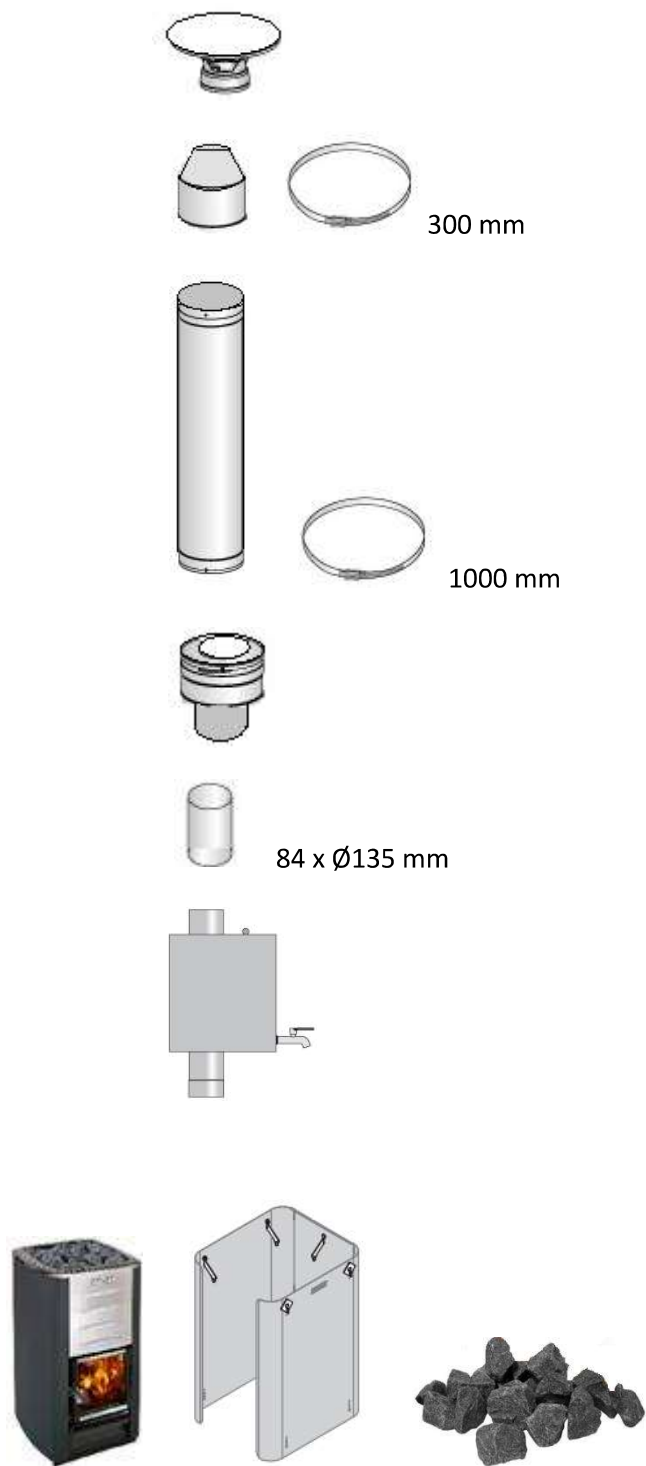












All photographs are illustrative. Technical changes, printing errors, changes and errors possible! All models are rough.

Alles Fotos sind illustrativ. Technische Änderungen, Druckfehler und Irrtümer vorbehalten! Sämtliche Modelle werden Naturbelassen geliefert.